

Description

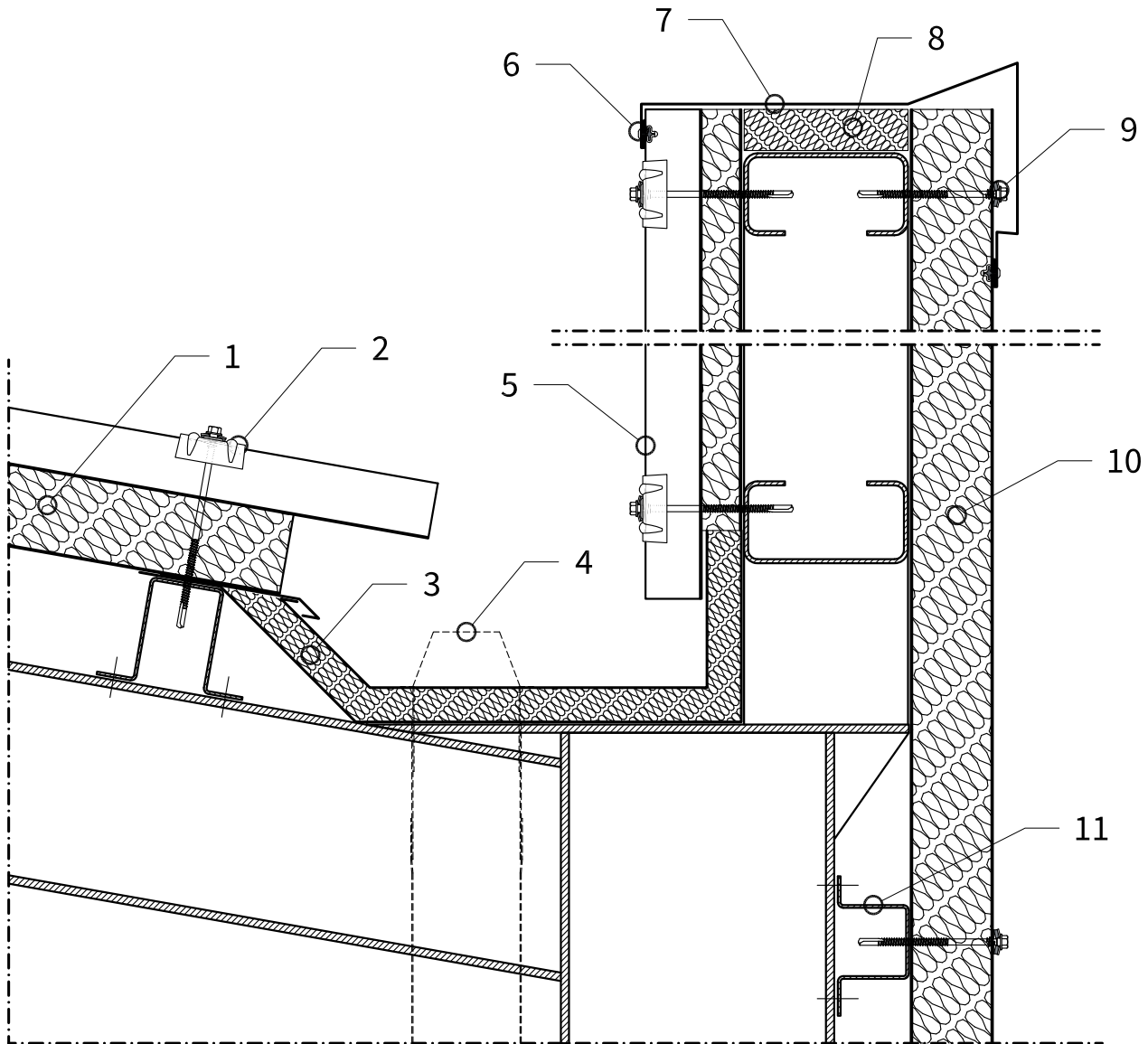
ROOF PANELS DETAIL

Vertical Section

Roof with insulated drain and high parapet



Scale 1:5	Drawing code TD_R09	Date 16.05.2016	Rev. date
		Drawn by ISOPAN	Rev. -



Legend

01 ISOPAN Roofs Panel	09 Fixing screw
02 Fastening system	10 ISOPAN Walls Panel
03 Custom insulated drain	11 Steel support
04 Drainpipe	12
05 ISOPAN Panel	13
06 Rivet	14
07 Custom flashing	15
08 Proper on site insulation	16

ATTENTION: the proposed solution does not constitute the project, and must be firstly assessed and evaluated by the designer and construction supervision. The designer is responsible for assessing the need to insert additional gasket and/or closing elements, even when not indicated in the drawing details. The property rights of this document belong to ISOPAN S.p.a.. The contents can't be reproduced without prior written permission by the author. To choose the type of fastening, please refer to the screw type choice sheet; To choose the screw length, please refer to the data sheet for the correct screw length).