

Description

# ROOF PANELS DETAIL

Vertical Section

Roof with insulated drain



Scale

1:3

Drawing code

TD\_R06

Date

16.05.2016

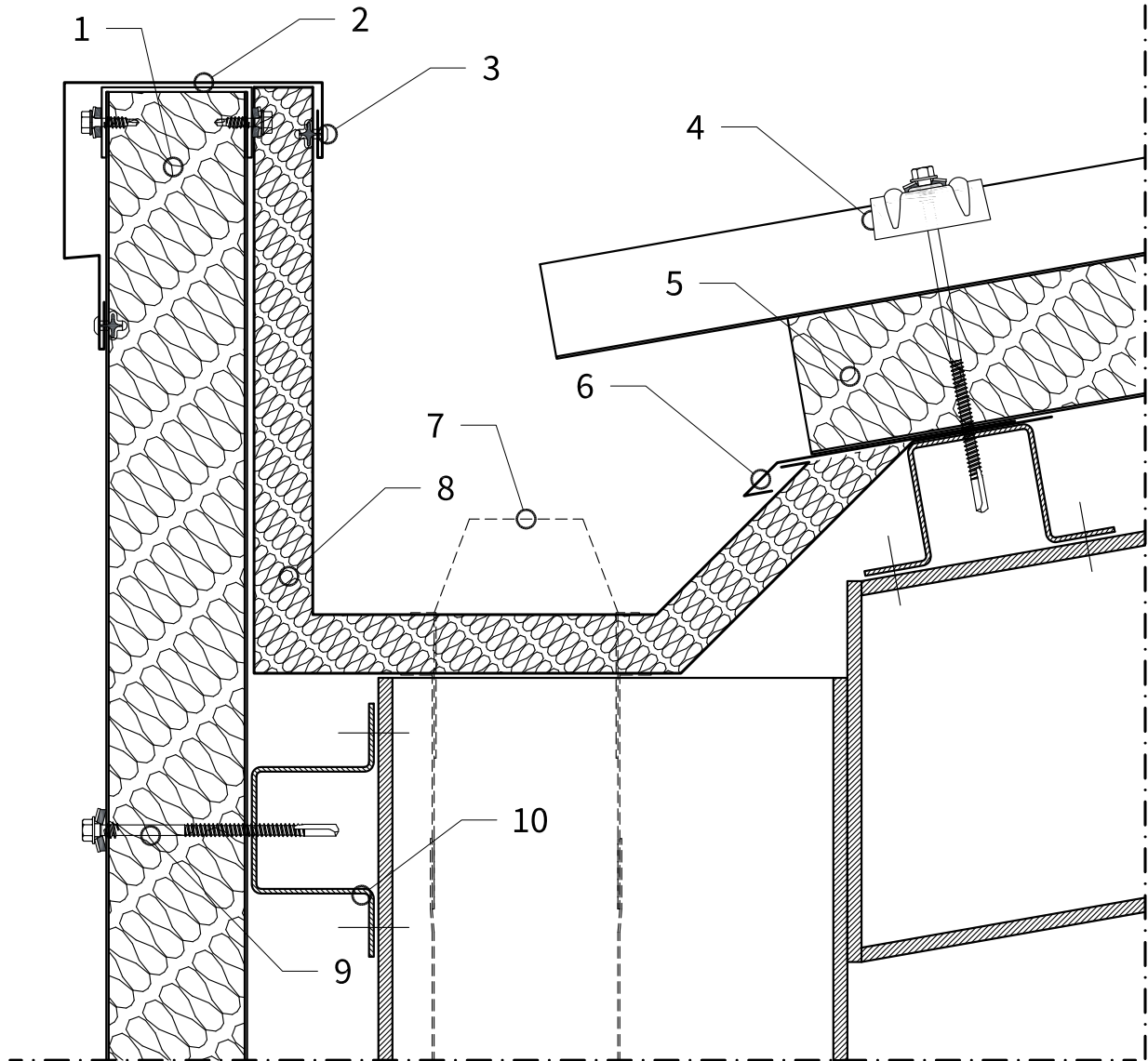
Rev. date

Drawn by

ISOPAN

Rev.

-



## Legend

01	ISOPAN Walls Panel
02	Protection flashing (ISOL4b)
03	Rivet
04	Fastening system for roof panels
05	ISOPAN Roofs Panel
06	Custom drip edge flashing
07	Drainpipe
08	Custom insulated drain with proper insulation

09	Fixing screw
10	Steel support
11	
12	
13	
14	
15	
16	

ATTENTION: the proposed solution does not constitute the project, and must be firstly assessed and evaluated by the designer and construction supervision. The designer is responsible for assessing the need to insert additional gasket and/or closing elements, even when not indicated in the drawing details. The property rights of this document belong to ISOPAN S.p.a.. The contents can't be reproduced without prior written permission by the author. To choose the type of fastening, please refer to the screw type choice sheet; To choose the screw length, please refer to the data sheet for the correct screw length).