

Description

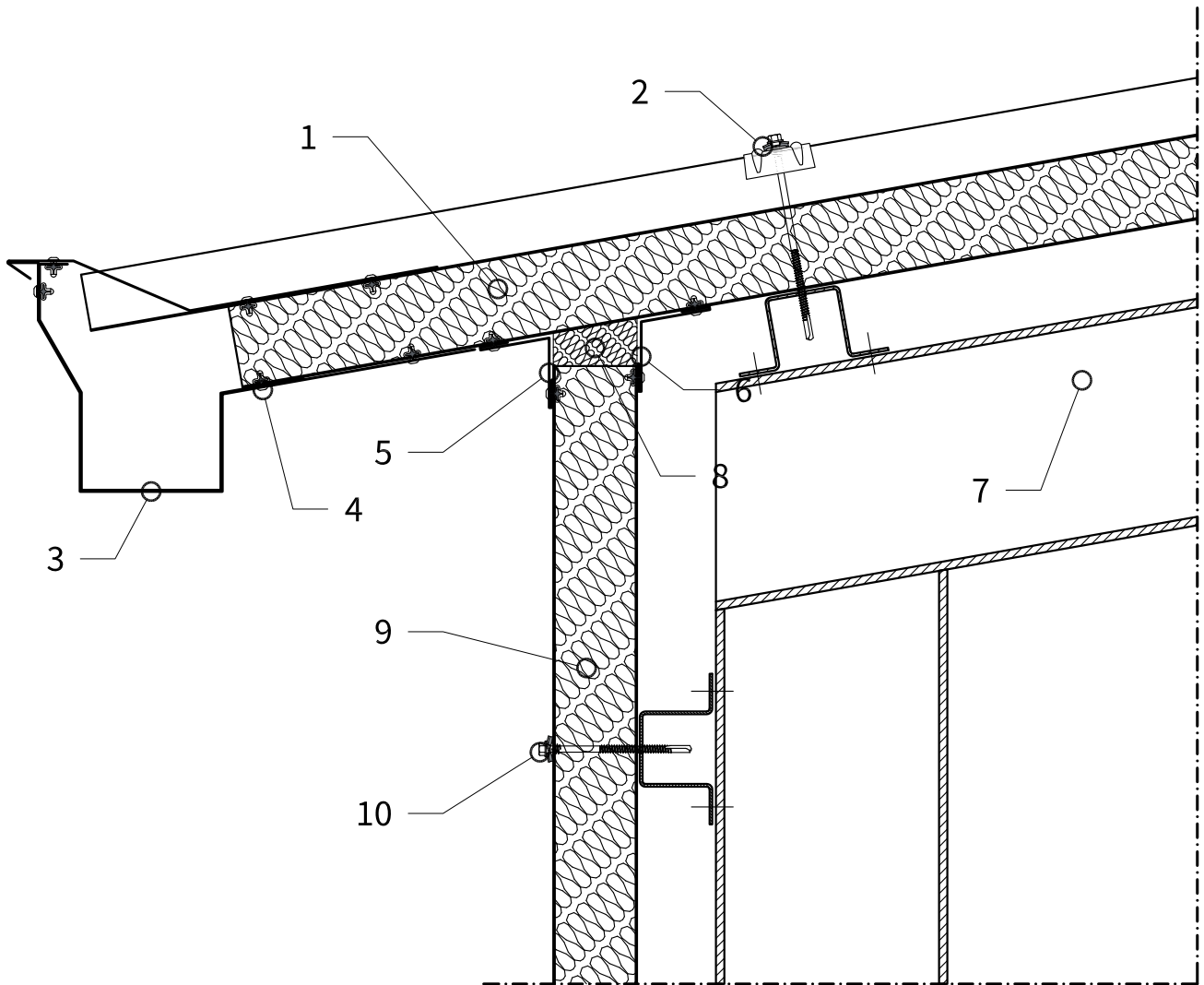
WALL PANELS DETAIL

Vertical Section

Roof connection with outside gutter



| | | | |
|---------------------|-------------------------------|--------------------|-----------|
| Scale 1:5 | Drawing code TD_W08 | Date 16.05.2016 | Rev. date |
| | | Drawn by ISOPAN | Rev. - |



Legend

| | | | |
|----|---------------------------|----|--------------------|
| 01 | ISOPAN Roofs Panel | 09 | ISOPAN Walls Panel |
| 02 | Fastening system | 10 | Fixing screw |
| 03 | Gutter (ISOL37) | 11 | |
| 04 | Rivet | 12 | |
| 05 | Custom flashing | 13 | |
| 06 | Custom flashing | 14 | |
| 07 | Steel support | 15 | |
| 08 | Proper on site insulation | 16 | |

ATTENTION: the proposed solution does not constitute the project, and must be firstly assessed and evaluated by the designer and construction supervision. The designer is responsible for assessing the need to insert additional gasket and/or closing elements, even when not indicated in the drawing details. The property rights of this document belong to ISOPAN S.p.a.. The contents can't be reproduced without prior written permission by the author. To choose the type of fastening, please refer to the screw type choice sheet; To choose the screw length, please refer to the data sheet for the correct screw length).