

Description

WALL PANELS DETAIL

Vertical Section

Panel to panel horizontal junction



Scale

1:2

Drawing code

TD_W05

Date

16.05.2016

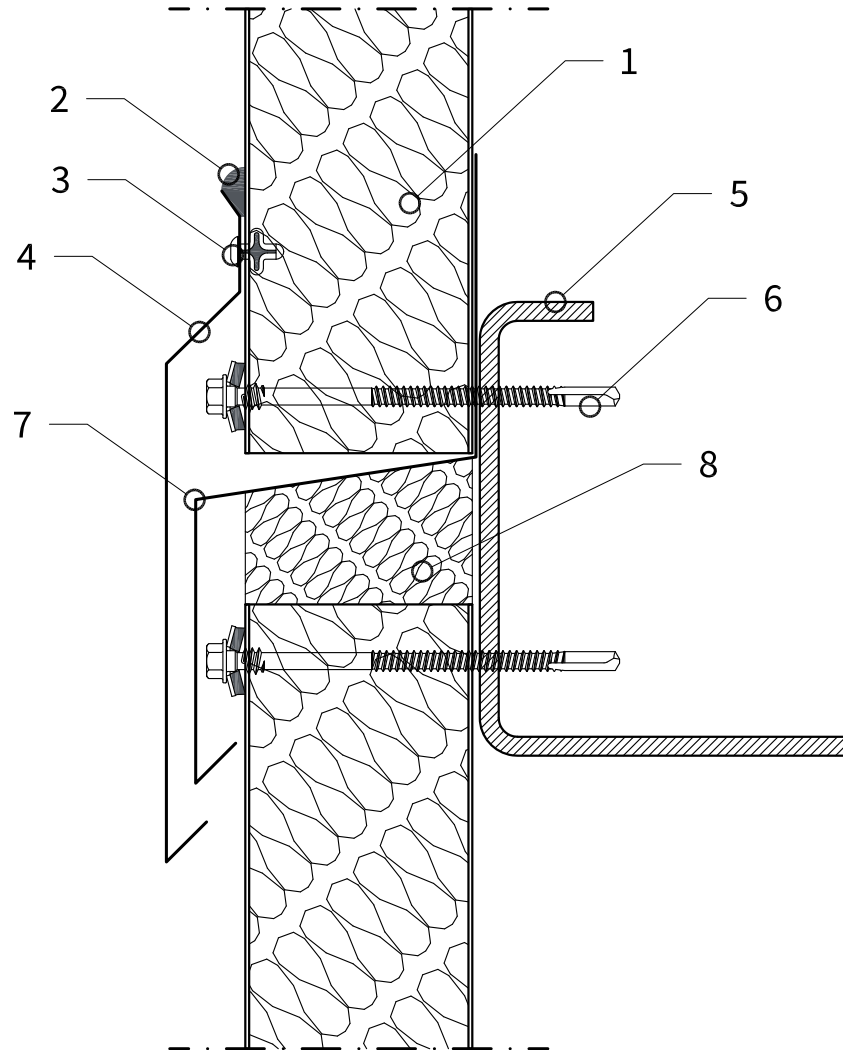
Rev. date

Drawn by

ISOPAN

Rev.

-



Legend

01	ISOPAN Walls Panel	09	
02	Elastic sealant	10	
03	Rivet	11	
04	Custom prttection flashing	12	
05	Steel support	13	
06	Fixing screw	14	
07	Custom drip edge flashing	15	
08	Mineral wool insulation	16	

ATTENTION: the proposed solution does not constitute the project, and must be firstly assessed and evaluated by the designer and construction supervision. The designer is responsible for assessing the need to insert additional gasket and/or closing elements, even when not indicated in the drawing details. The property rights of this document belong to ISOPAN S.p.a.. The contents can't be reproduced without prior written permission by the author. To choose the type of fastening, please refer to the screw type choice sheet; To choose the screw length, please refer to the data sheet for the correct screw length).