

Description

WALL PANELS DETAIL
Vertical Section
Base connection (ground level)



Scale
1:2

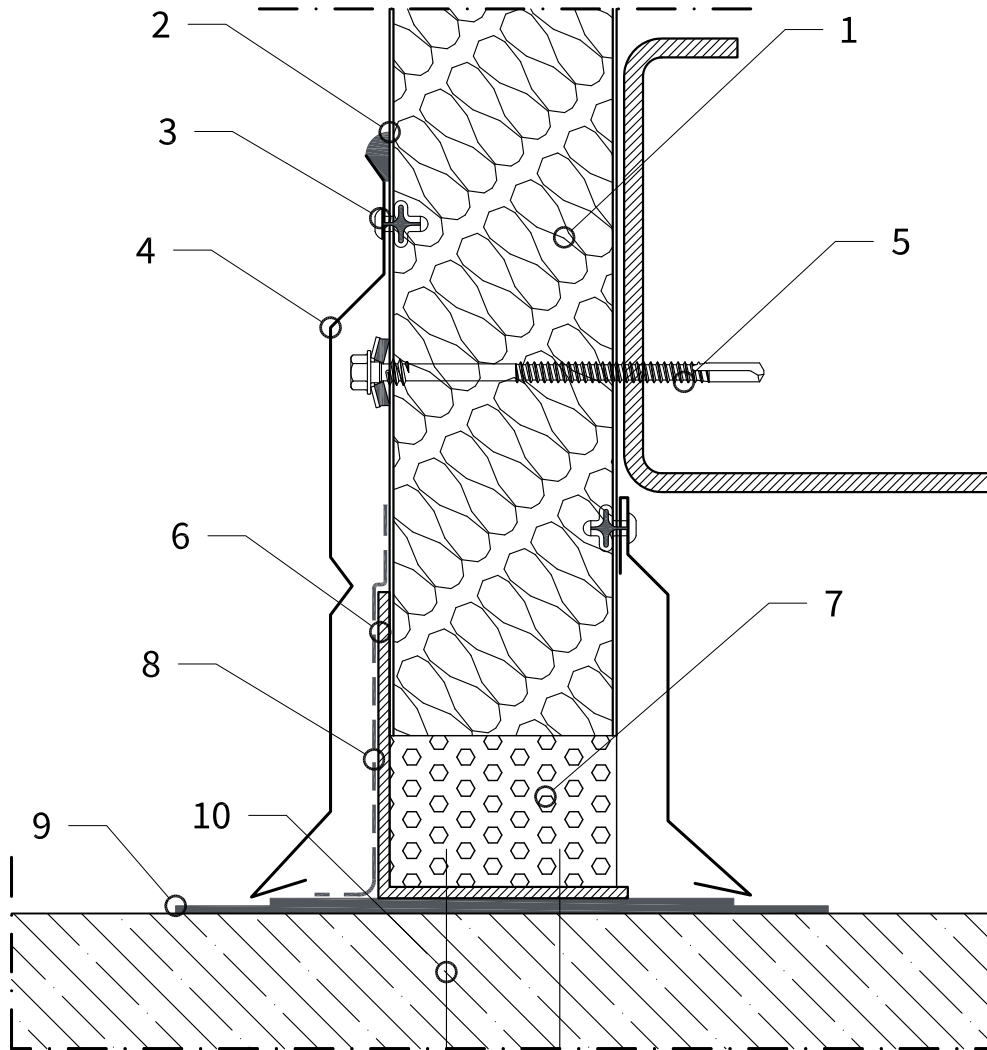
Drawing code
TD_W03

Date
16.05.2016

Rev. date

Drawn by
ISOPAN

Rev.
-



Legend

- 01 ISOPAN Walls Panel
- 02 Silicone
- 03 Rivet
- 04 Protection flashing
- 05 Fixing screw
- 06 Steel support
- 07 Polystyrene
- 08 Waterproof liquid membrane

- 09 Double waterproof membrane
- 10 Steel dowel
- 11
- 12
- 13
- 14
- 15
- 16

ATTENTION: the proposed solution does not constitute the project, and must be firstly assessed and evaluated by the designer and construction supervision. The designer is responsible for assessing the need to insert additional gasket and/or closing elements, even when not indicated in the drawing details. The property rights of this document belong to ISOPAN S.p.a.. The contents can't be reproduced without prior written permission by the author. To choose the type of fastening, please refer to the screw type choice sheet; To choose the screw length, please refer to the data sheet for the correct screw length).