

Description

WALL PANELS DETAIL

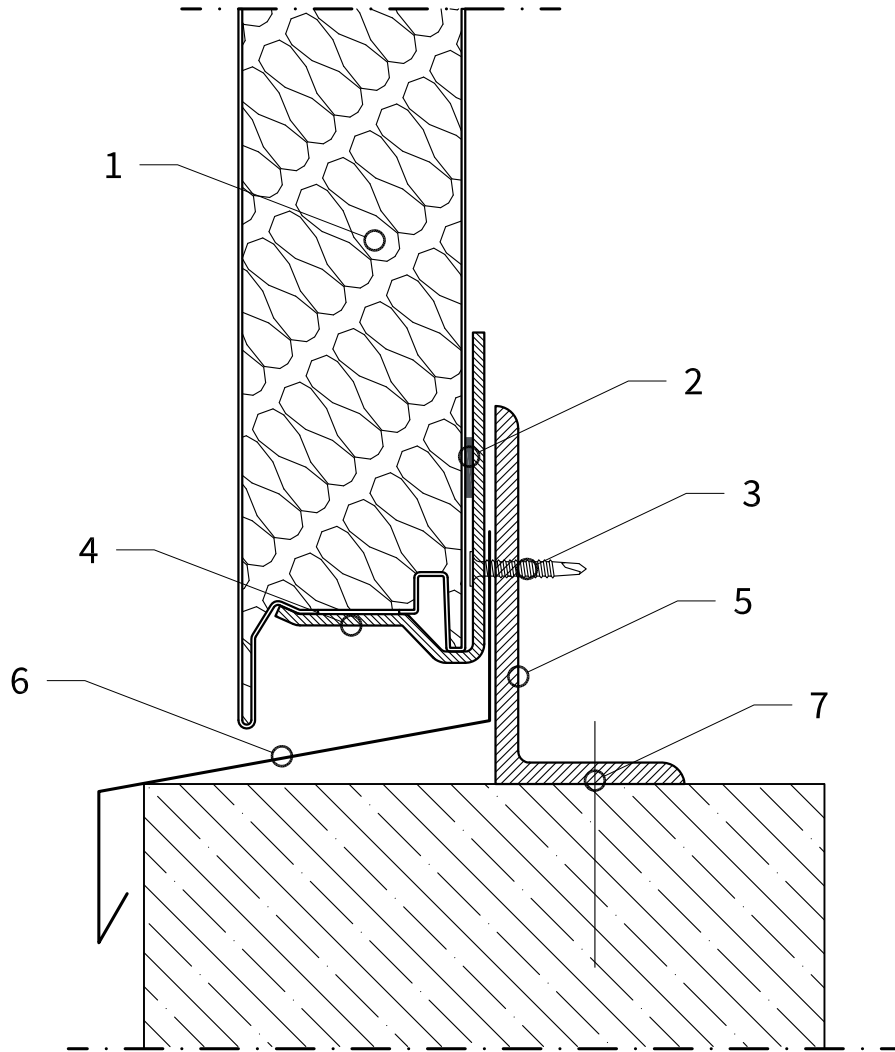
Vertical section

Base connection (Hidden fixing panels)



ISOPAN

Scale 1:2	Drawing code TD_W02	Date 16.05.2016	Rev. date
		Drawn by ISOPAN	Rev. -



Legend

01	ISOPAN Walls Panel (hidden fixing)	09	
02	Gasket	10	
03	Fixing screw	11	
04	Special steel support	12	
05	Steel support	13	
06	Custom drip edge flashing	14	
07	Steel dowel	15	
08		16	

ATTENTION: the proposed solution does not constitute the project, and must be firstly assessed and evaluated by the designer and construction supervision. The designer is responsible for assessing the need to insert additional gasket and/or closing elements, even when not indicated in the drawing details. The property rights of this document belong to ISOPAN S.p.a.. The contents can't be reproduced without prior written permission by the author. To choose the type of fastening, please refer to the screw type choice sheet; To choose the screw length, please refer to the data sheet for the correct screw length).